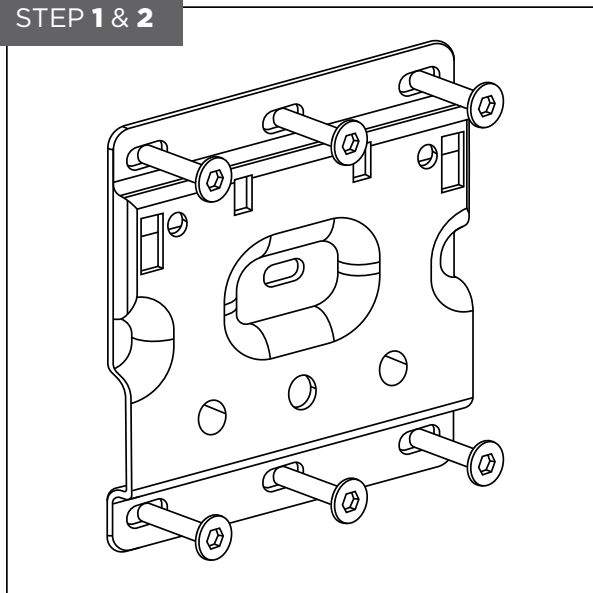


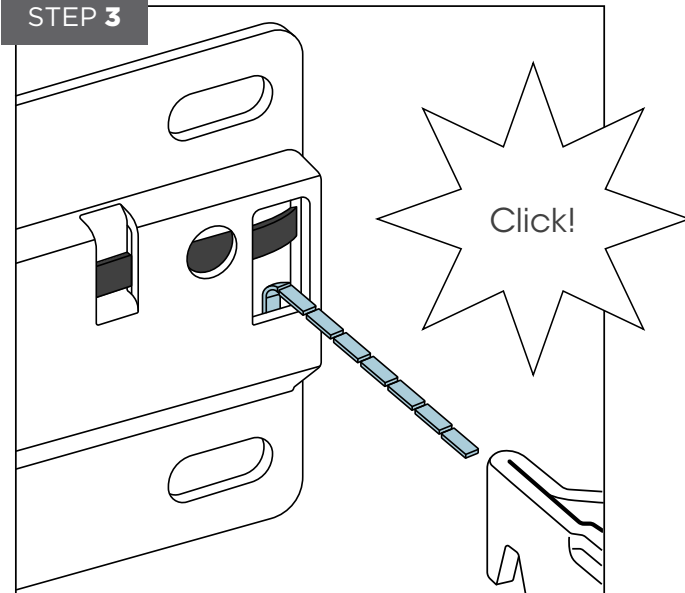
INSTALLATION INSTRUCTIONS

STEP 1 & 2



1. Two mounting plates are provided, one for each side of the vanity. Using a mounting plate as a guide, mark the location of where to drill pilot holes for the supplied screws. Drill 6 holes for each plate. Holes must be drilled into blocking or vertical studs to provide the required support.
2. Screw both mounting plates to the wall. Make sure the screws are anchored securely into blocking or studs.
Tip: Don't fully tighten one of the plates to allow easier positioning and adjustment of the vanity.

STEP 3



3. With assistance, lift the vanity and insert the hooks on the back of the vanity into the outside slots on the mounting plates. You'll hear a "click" when the vanity is locked into place. Tighten the loose bracket, if necessary.

To remove the vanity, unlock it from each mounting plate. Insert a Phillips-head screwdriver into the mounting plate holes located next to the hooks to push back the metal ribbon. Lift and remove the vanity. Repeat on other side.

REMOVAL

