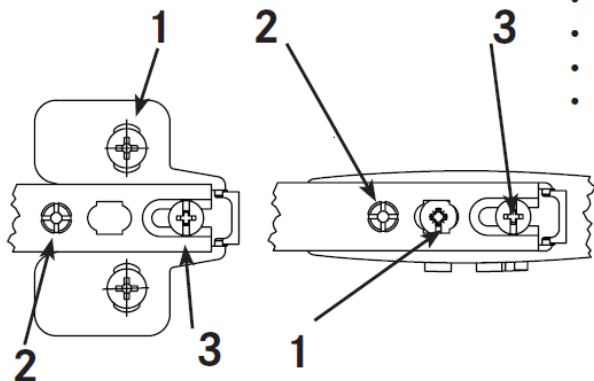
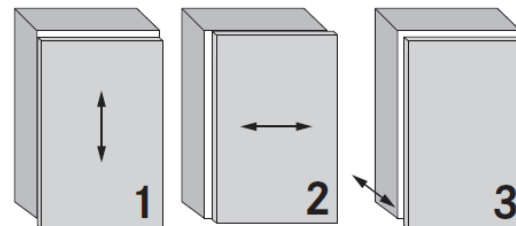


BI-FOLD HINGE ADJUSTMENT (DOOR TO DOOR)



- Steel, nickel plated
- Side adjustment via elongated hole
- Use a #2 Pozzi drive screwdriver for hinge adjustment
- Attach base plates using all available screw holes



Height adjustment
± 2mm

Side Adjustment
+1/-3mm

Depth adjustment
+3/-1mm

All adjustment options can be made independently of one another

HINGE ADJUSTMENT (DOOR TO CABINET)

TEC hinges offer a convenient three dimensional adjustment.

- 1 Side Adjustment
Rotate cam adjustment screw.
- 2 Height Adjustment
Loosen screw, align door, tighten screw.
- 3 Depth Adjustment
Rotate cam screw.

TEC Soft-close hinges offer an adjustable three tier closing mechanism.

- 4 Soft-close Tension - **A** Light, **B** Medium, and **C** Strong settings

