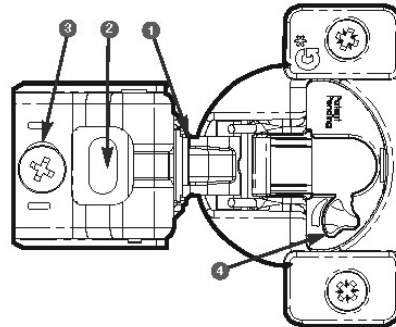




Technical information for TEC Soft-close hinges

TEC Soft-close hinges are more convenient than ever. Each hinge is adjustable to fit any door, and close to any pressure.

- 1 Side Adjustment
Rotate cam adjustment screw.
- 2 Height Adjustment
Loosen screw, align door, tighten screw.
- 3 Depth Adjustment
Rotate cam screw.
- 4 Soft-close Tension.....Light, Medium and Strong settings



LIGHT

- 1 This is the "Light" setting for the Soft-closing mechanism. Set here for light or small doors with very little closing pressure.



MEDIUM

- 2 This is the "Medium" setting for the Soft-closing mechanism. Set here for average size doors with normal closing pressure.



STRONG

- 3 This is the "Strong" setting for the Soft-closing mechanism. Set here for larger or heavier doors with a strong closing pressure. **(Factory Setting)**



Note: To reset the Soft-close damper, move the adjustment switch to "Strong", then to the desired position. Close the door and the Soft-close will be reset.

